



R&R IKV6-112-01 industrial-grade panel mount metal keyboard

push button

Type V6, 16x16 mm flat
actuation force 2N
travel 1.2 mm
life time > 2 Million cycles
protection class I P 6 5 – dust and water proof
engraved inscription
grid 19.05mm x 19.05mm
max. 6x4 push buttons

R&R industrial grade metal keyboard IKV6-112-01

[DNR24926_E_R01.DOCX](#) [25.02.2019](#)

1 / 7

R&R GmbH Ob der Eck 4 D78148 Gütenbach – phone +49 (0)7723 9186-0 - Fax +49 (0)7723 9186-30

WWW.RURGMBH.DE

WWW.RURSHOP.DE

INFO@RURGMBH.DE

silicone push button DNR11001
actuation force 1N
travel 1.2 mm



silicone push button DNR7467
actuation force 2N
travel 1.2 mm



R&R industrial grade metal keyboard IKV6-112-01

[DNR24926_E_R01.DOCX](#)

25.02.2019

2 / 7

R&R GmbH Ob der Eck 4 D78148 Gütenbach – phone +49 (0)7723 9186-0 - Fax +49 (0)7723 9186-30

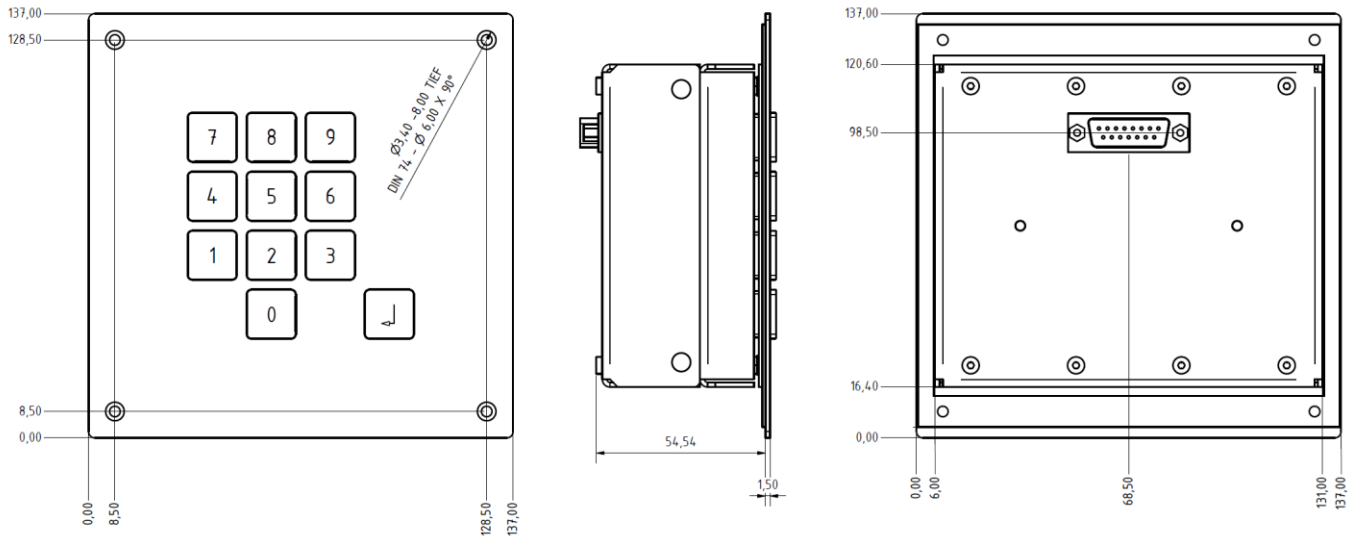
WWW.RURGMBH.DE

WWW.RURSHOP.DE

INFO@RURGMBH.DE

housing

aluminium, colourless anodized



W x H x D

approx. 137,0 mm x 137,0 mm x 55 mm

R&R industrial grade metal keyboard IKV6-112-01

[DNR24926_E_R01.DOCX](#)

25.02.2019

3 / 7

R&R GmbH Ob der Eck 4 D78148 Gütenbach – phone +49 (0)7723 9186-0 - Fax +49 (0)7723 9186-30

WWW.RURGMBH.DE

WWW.RURSHOP.DE

INFO@RURGMBH.DE



Layout
pcb

4x4 push buttons
RR-P-567, base element 4x2 push buttons
(stackable)

R&R industrial grade metal keyboard IKV6-112-01

[DNR24926_E_R01.DOCX](#) [25.02.2019](#)

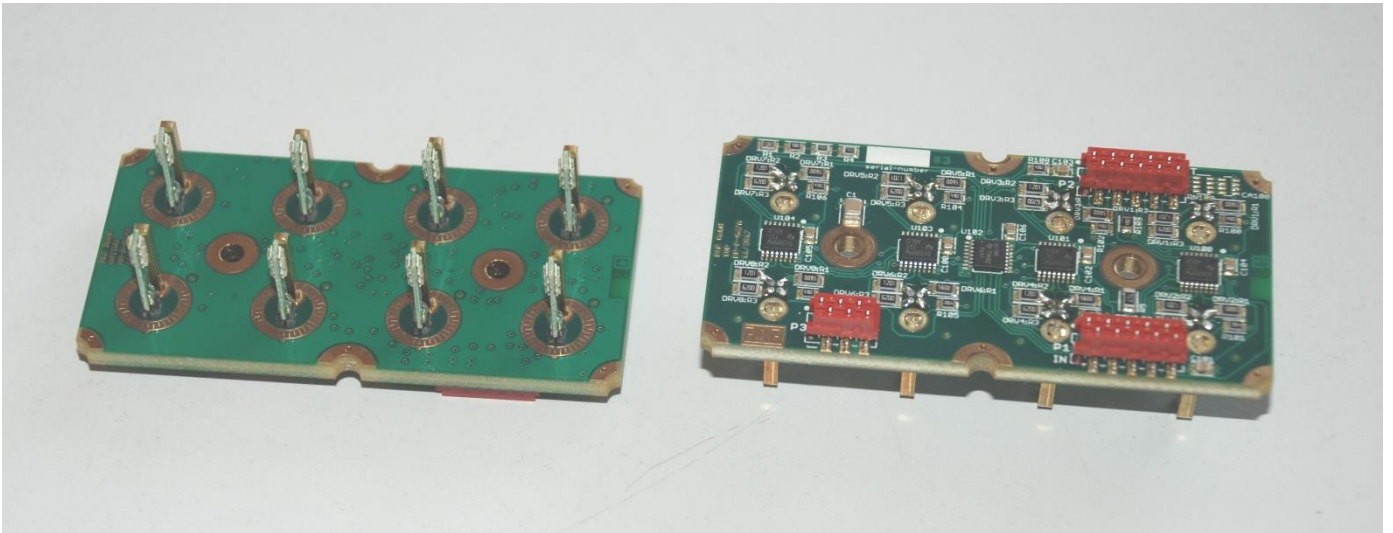
4 / 7

R&R GmbH Ob der Eck 4 D78148 Gütenbach – phone +49 (0)7723 9186-0 - Fax +49 (0)7723 9186-30

WWW.RURGMBH.DE

WWW.RURSHOP.DE

INFO@RURGMBH.DE



R&R industrial grade metal keyboard IKV6-112-01

[DNR24926_E_R01.DOCX](#) 25.02.2019

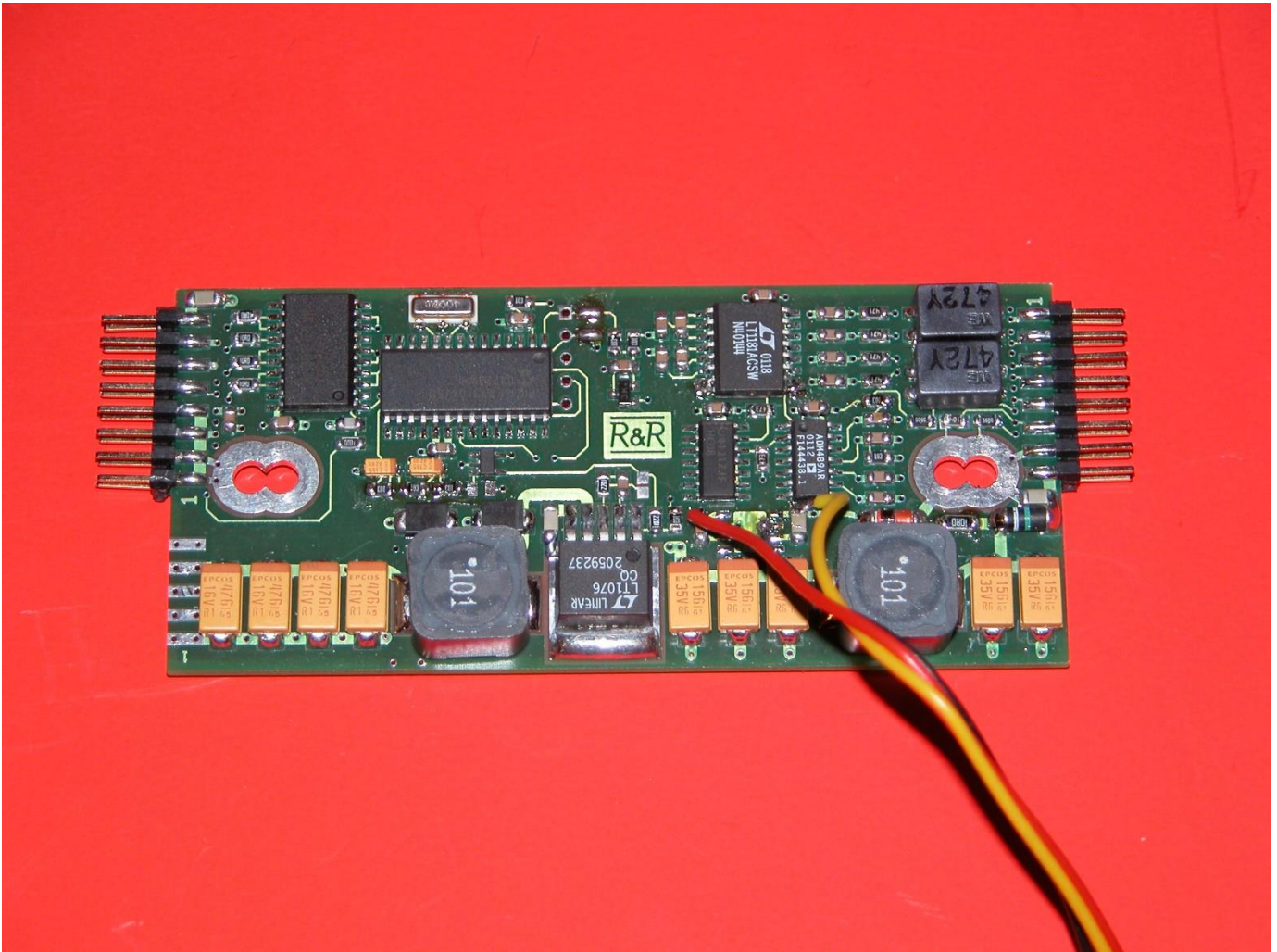
5 / 7

R&R GmbH Ob der Eck 4 D78148 Gütenbach – phone +49 (0)7723 9186-0 - Fax +49 (0)7723 9186-30

WWW.RURGMBH.DE

WWW.RURSHOP.DE

INFO@RURGMBH.DE



controller RR-P-395; interface RS422 or RS232C
power supply 12 - 24 V DC
see datasheet DNR15774

software see documentation DNR 8089

R&R industrial grade metal keyboard IKV6-112-01

[DNR24926_E_R01.DOCX](#)

25.02.2019

6 / 7

R&R GmbH Ob der Eck 4 D78148 Gütenbach – phone +49 (0)7723 9186-0 - Fax +49 (0)7723 9186-30

WWW.RURGMBH.DE

WWW.RURSHOP.DE

INFO@RURGMBH.DE



connector D-Sub 15pin, or M16x1.5 8polig

Interface parameters:

asynchrone serial, 9600 baud, 8 databits, no parity, 1 stopbit

Die Schnittstellensignale sind auf einen 15pol. Sub-D-Stecker herausgeführt.

Signal	Pin#	Signal
signal GND	1	
	9	RS232C-RTS (Request To Send) ^{*2}
RS232C-Receive-Data ^{*2}	2	
	10	RS232C-CTS (Clear To Send) ^{*2}
RS232C-Transmit-Data ^{*2}	3	
	11	RS422-Receive-Data- ^{*2}
RS422-Receive-Data+ ^{*2}	4	
	12	RS422-Transmit-Data- ^{*2}
RS422-Transmit-Data+ ^{*2}	5	
	13	NC
NC	6	
	14	NC
power supply GND	7	
	15	power supply GND
power supply +24Volt	8	

^{*1} NC not connected

^{*2} RS422/RS232C not used interface must not be connected.

Software: each push button transmit a sign directly.

R&R industrial grade metal keyboard IKV6-112-01

[DNR24926_E_R01.DOCX](#)

25.02.2019

7 / 7

R&R GmbH Ob der Eck 4 D78148 Gütenbach – phone +49 (0)7723 9186-0 - Fax +49 (0)7723 9186-30

WWW.RURGMBH.DE

WWW.RURSHOP.DE

INFO@RURGMBH.DE